

MV-CE100-30GM/GC

10MP; 1/2.3" CMOS GigE Camera



Key Features:

- Gigabit Ethernet interface providing 1Gbps bandwidth; Transmitting distance can be 100m without relaying.
- 128MB on-board buffer, for image burst transmitting and retransmitting.
- Support auto exposure control, LUT and Gamma correction.
- Cameras can be synchronized with hard trigger and soft trigger.
- Different exposure modes can be used to capture image.
- Embed special color interpolation algorithm which reproduces color performance better and supports auto white balance function.
- Compliant with GigE Vision V1.2, can be supported by third party software

Typical Applications:

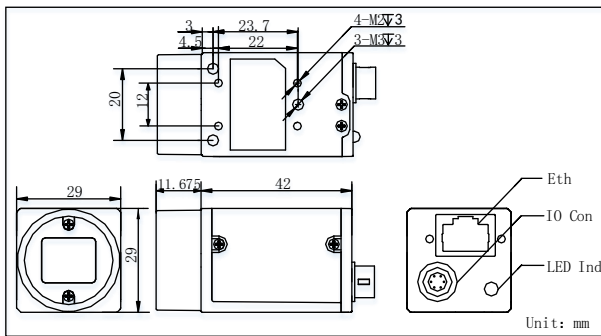
- Electronic semiconductor
- Factory automation
- Quality Inspection

Part No:

Mono: MV-CE100-30GM

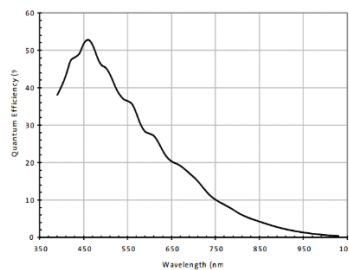
Color: MV-CE100-30GC

Dimension:

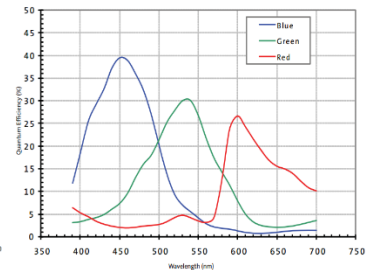


Technical Specifications:

Part No	MV-CE100-30GM	MV-CE100-30GC
Spec	10MP; 1/2.3" CMOS GigE Camera	
Camera		
Sensor	1/2.3" Global Shutter CMOS	
Resolution	3840×2748	
Pixel Size	1.67 μm×1.67μm	
Framerate	7fps@3840×2748, Mono8	5.5fps@3840×2748, YUV 7fps@3840×2748, Bayer8
Dynamic Range	>65dB	
SNR	>34dB	
Gain Range	0-15.3dB	
Exposure Time	50μs-2sec	
Shutter Mode	Global shutter; Auto-exposure; Manual exposure, and One-key exposure	
Network	Gigabit Ethernet	
General Purpose I/O	Opto-isolated input *1 Opto-isolated output *1 Bi-directional non-isolated I/O *1	
Image Buffer	128MB	
Data Format	Mono 8/10/10p/12/12p	Mono8/10/12, Bayer GR 8/10/10p/12/12p, YUV 422 8 UYVY, YUV 422 8, RGB8
General		
Power	<2.6W@12VDC, Voltage 5~15VDC, PoE Supported	
Temperature	Working Temperature 0~50°C, Storage Temperature -30~70°C	
Dimension	29mm×29mm×42mm	
Weight	Approx. 68g	
Lens Interface	C-Mount	
Software	MVS or Third-Party Software supporting GigE Vision Protocol	
Operating System	Windows XP/7/8 32/64bits	
Compliance	GigE Vision	
Certification	CE, FCC, RoHS	



MV-CE100-30GM Spectral Response



MV-CE100-30GC Spectral Response

Accessories:

Power: 12V @ 1A power adapter

NIC: Intel Pro1000 and above version recommended

Network Cable: CAT5e or CAT6 network cable recommended